

1

2

3

4

5

6

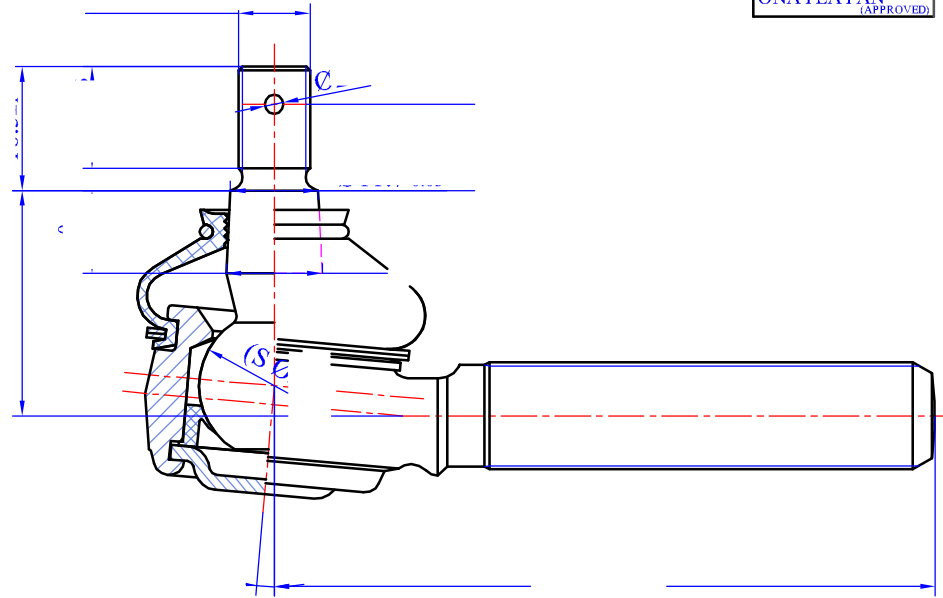
7

8

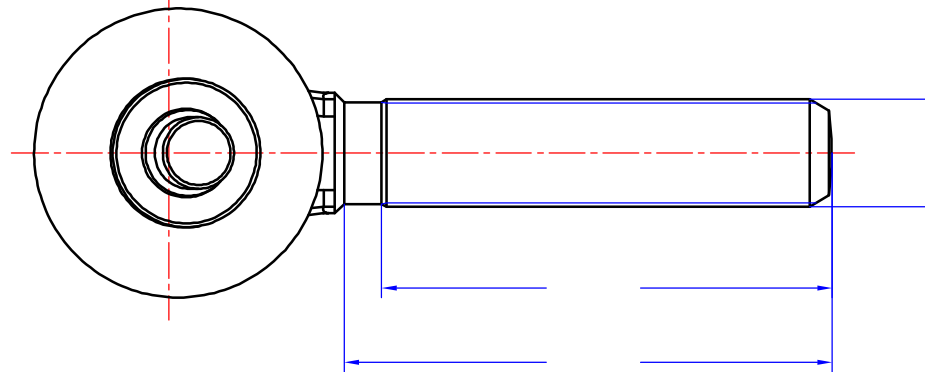
REVİZYON NO
(ISSUE) 00
ÇİZEN
(DRAWN)
KONTROL EDEN
(CHECKED)
ONAYLAYAN
(APPROVED)

TARİH
(DATE) 27/02/2008
İMZA
(SIGN) 27/02/2008
27/02/2008

2008/000



ARTICULATION
SALINIM



KRİTİK ÖLÇÜ CRITIC DIMENSION		MAJÖR ÖLÇÜ MAJOR DIMENSION		MINÖR ÖLÇÜ MINOR DIMENSION	
<input checked="" type="checkbox"/> DÜZLÜK FLATNESS	<input checked="" type="checkbox"/> PARALLELLİK PARALLELISM	<input checked="" type="checkbox"/> DİREK PERPENDICULARITY	<input checked="" type="checkbox"/> SİMETRİ SYMMETRY	<input checked="" type="checkbox"/> DOĞRUSALLIK STRAIGHTNESS	<input checked="" type="checkbox"/> GENEL SALLI TOTAL RUNOUT
<input checked="" type="checkbox"/> DÜZLÜK CONCENTRICITY	<input checked="" type="checkbox"/> EĞİMLİK ANGULARITY	<input checked="" type="checkbox"/> YÜZEY BİÇİMİ PROFILE OF A SURFACE	<input checked="" type="checkbox"/> DÜZLEMSELİK FLATNESS	<input checked="" type="checkbox"/> DAİRESELİK CIRCULARITY	<input checked="" type="checkbox"/> SİLİNDİRLİK CYLINDRICITY
<input checked="" type="checkbox"/> 3 GÖRÜNÜŞ BİÇİMİ (3RD ANGLE PROJ) THIRD ANGLE PROJ	<input checked="" type="checkbox"/>	<input checked="" type="checkbox"/>	<input checked="" type="checkbox"/>	<input checked="" type="checkbox"/>	<input checked="" type="checkbox"/>
MALZEME (MATERIAL)	PARÇA NUMARASI (PART CODE)	RESİM NUMARASI (DRAWING NUMBER)	YARQAÇ AP (W/THICK)	AGIRLIK (WEIGHT)	RÖLÖ KG
REFERANS NUMARASI (REFERENC NUMBER)	PARÇA ADI (TITLE) ROT BASI BALL PIN		TOLERANS (TOLERANCE)	716mm	
Suspension / Chassis Parts Projects 2008/04-01					